

# SANIMotor®

## IP69K Rated Stainless Steel Gearmotors

### Key Features

- Complete Gearmotor encased in 304 stainless steel
- Special two-part stainless steel output shaft seal system employs robust EPDM polymer material
- Laser marked permanent nameplate meets extreme washdown rating
- Food-grade H1 grease lubricated for maintenance-free lifetime lubrication
- Class F insulation system evaluated to UL 1449 described in E199928
- Construction features meet UL 1004 and C22.2 #100 described in E89715
- 2 power cord connector options, straight and right-angle, available in lengths of 2m, 5m and 10m (to be ordered separately)
- Made in USA

Bison Gear's new, innovative SANIMotor line of stainless steel gearmotors are designed to meet the IP69K extreme washdown rating established by the European IEC for equipment exposed to temperature extremes, constantly wet environments and the use of harsh cleaning agents. The stainless steel shell also eliminates contamination from flaking of paint or other coatings; further enabling repeated washdown without compromising cleanliness.

To ensure a long, trouble-free life, all electrical components are encapsulated in thermally conductive epoxy resin. Output shaft sealing is accomplished via a two part rotor-stator style seal, providing three sealing surfaces. Electrical termination utilizing an IP69K rated stainless steel, modular, multi-pin power connector further ensures dry operation in washdown applications.

The three-phase 230 volt inverter duty SANIMotor gearmotors employ Bison's Verdant Duty® design for increased energy efficiency and are available in two frame sizes (34 frame and 49 frame). Each frame size is mated to 7 standard gearing packages offering fixed output speeds from 345 RPM to 8 RPM and rated torques ranging from 7 to 500 in-lb (0.8 to 56.5 N-m).

SANIMotor is ideally suited for food, chemical and pharmaceutical processing applications as well as foodservice equipment, packaging machinery, factory automation, conveying, car wash and a wide variety of demanding applications where gearmotors are exposed to harsh environments and/or frequent washdowns.

The 14 SANIMotor stainless steel washdown duty gearmotors are part of Bison Gear's comprehensive [Bison Quick Ship](#) (BQS) program that supports Bison's distribution partners and offers same day shipment for orders received before noon (Central Time).



## SANIMotor®

**A COMPLETE WASH-DOWN RATED  
GEARMOTOR IN A  
COMPACT PACKAGE**

*Patent Pending*

For Use in Harsh Environments &  
High Pressure, High Temperature  
Washdown Applications



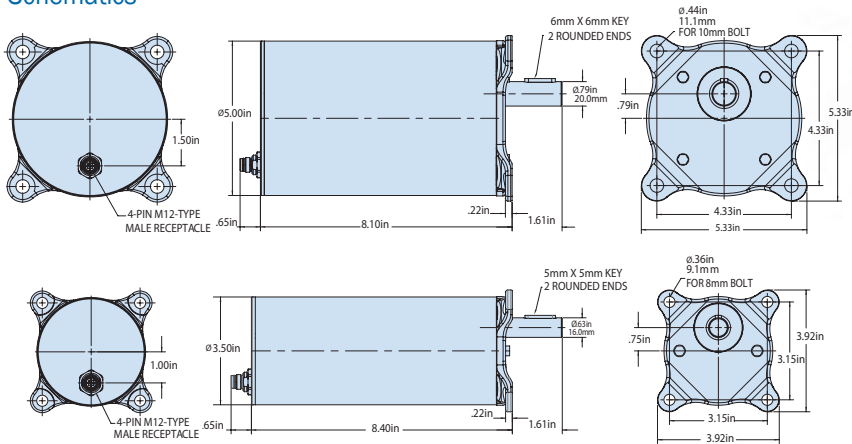
## IP69K Rated Stainless Steel Gearmotors

49 Frame 230V VFD 3-Phase Inverter Duty													
Part Number	Rated Speed (RPM)			Rated Torque (in-lbs)			Input Watts	Gear Ratio	Stages	Amps			Shipping Wt. (kg)
	6hz	60hz	90hz	6hz	60hz	90hz				6hz	60hz	90hz	
017-260-0005	34.5	345	518	16	16	11	90	5	2	.55	.50	.44	19.5
017-260-0010	17.3	173	260	34	34	23	90	10	2	.55	.50	.44	19.5
017-260-0019	9.1	91	137	70	70	46	90	19	2	.55	.50	.44	19.5
017-260-0037	4.7	47	71	128	128	85	90	37	2	.55	.50	.44	19.5
017-260-0072	2.4	24	36	256	256	170	90	72	3	.55	.50	.44	19.5
017-260-0140	1.2	12	19	500*	500*	320	90	140	3	.60	.50	.44	19.5
017-260-0221	0.8	8	12	500**	500**	500**	1/8	221	3	.60	.44	.40	19.5

34 Frame 230V VFD 3-Phase Inverter Duty													
Part Number	Rated Speed (RPM)			Rated Torque (Nm)			Input Watts	Gear Ratio	Stages	Amps			Shipping Wt. (kg)
	6hz	60hz	90hz	6hz	60hz	90hz				6hz	60hz	90hz	
017-160-0005	33.5	335	500	7	7	5	35	5	1	.27	.24	.19	10.5
017-160-0010	17.3	173	258	14	14	9	35	10	2	.27	.24	.19	10.5
017-160-0019	8.9	89	132	27	27	17	35	19	2	.27	.24	.19	10.5
017-160-0037	4.6	46	68	50	50	33	35	37	3	.27	.24	.19	10.5
017-160-0072	2.3	23	35	96	96	63	35	72	3	.27	.24	.19	10.5
017-160-0139	1.2	12	18	160**	160**	106	35	139	4	.27	.24	.19	10.5
017-160-0271	0.6	6	10	160**	160**	160**	35	271	4	.24	.21	.17	10.5

\*\* Output torque is gear limited

### Schematics

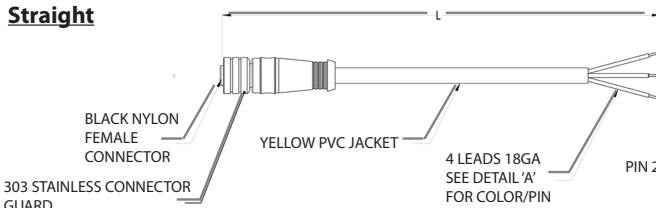


49 Frame

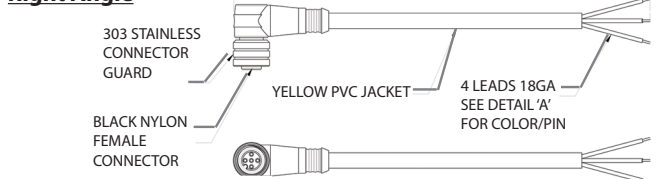
34 Frame

### Power Cord Options

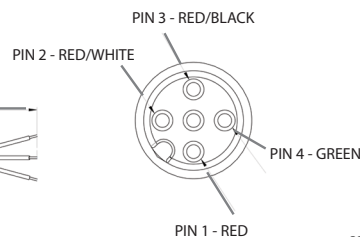
#### Straight



#### Right Angle



#### Connector Face



Straight Connector	
Part #	"L" dim (Meters)
P191-160-0002	2
P191-160-0005	5
P191-160-0010	10
Right Angle Connector	
P191-161-0002	2
P191-161-0005	5
P191-161-0010	10